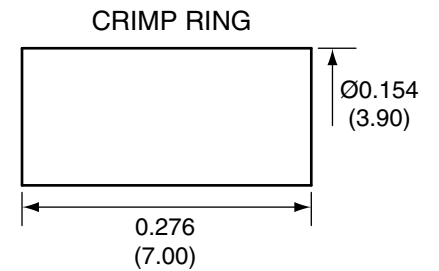
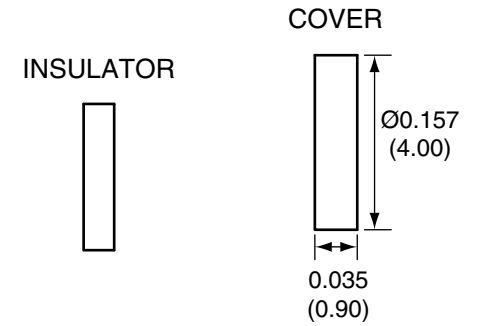
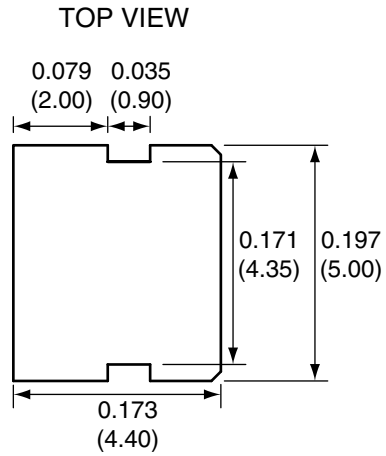
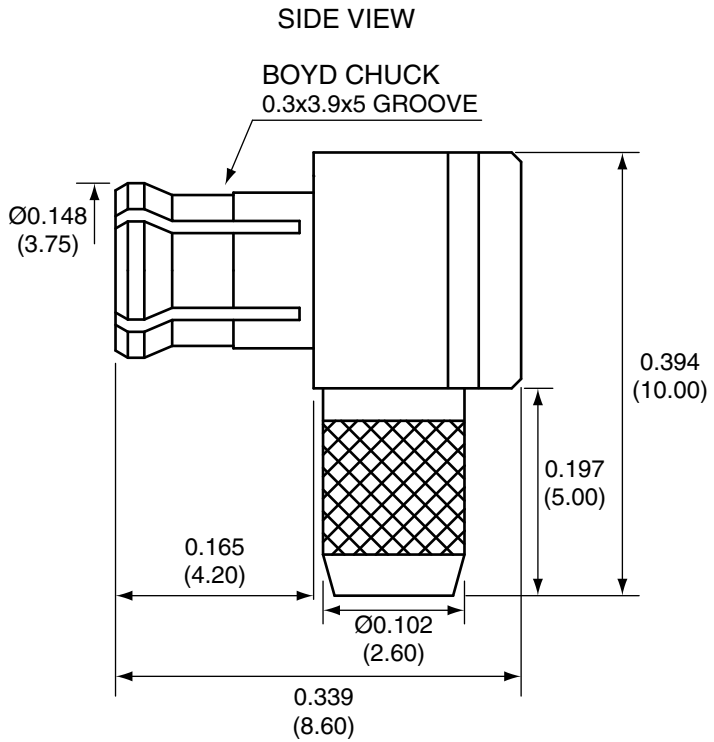
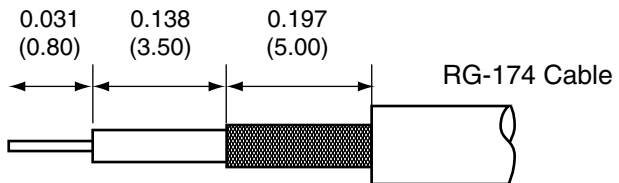


1		
Description	Material	Finish
Body	Brass	Gold
Pin	Brass	Gold
Insulation	Teflon	Teflon
Crimp Ring	Brass	Gold
Snaps	BE CU	Gold
Insulator	Teflon	Teflon
Cover	Brass	Gold



**RECOMMENDED CABLE STRIPPING DIMENSIONS**



Title **MCX MALE RIGHT ANGLE  
CABLE END CRIMP FOR RG174 CABLE**

Part No. **CONMCX012** Revision: **1.0**

Dimensions: **INCHES (mm)** Date: **6/8/2006**

CONNECTOR CITY  
575 SE ASHLEY PLACE  
GRANTS PASS, OR 97526  
PH (541)-471-6256  
FAX (541)-471-6251

Sheet 1 of 1

**CONNECTOR CITY**  
THE VALUE OF CONNECTIONS